

Interface Kit (B372)

Interface Kit (B372)

PARTS CATALOG

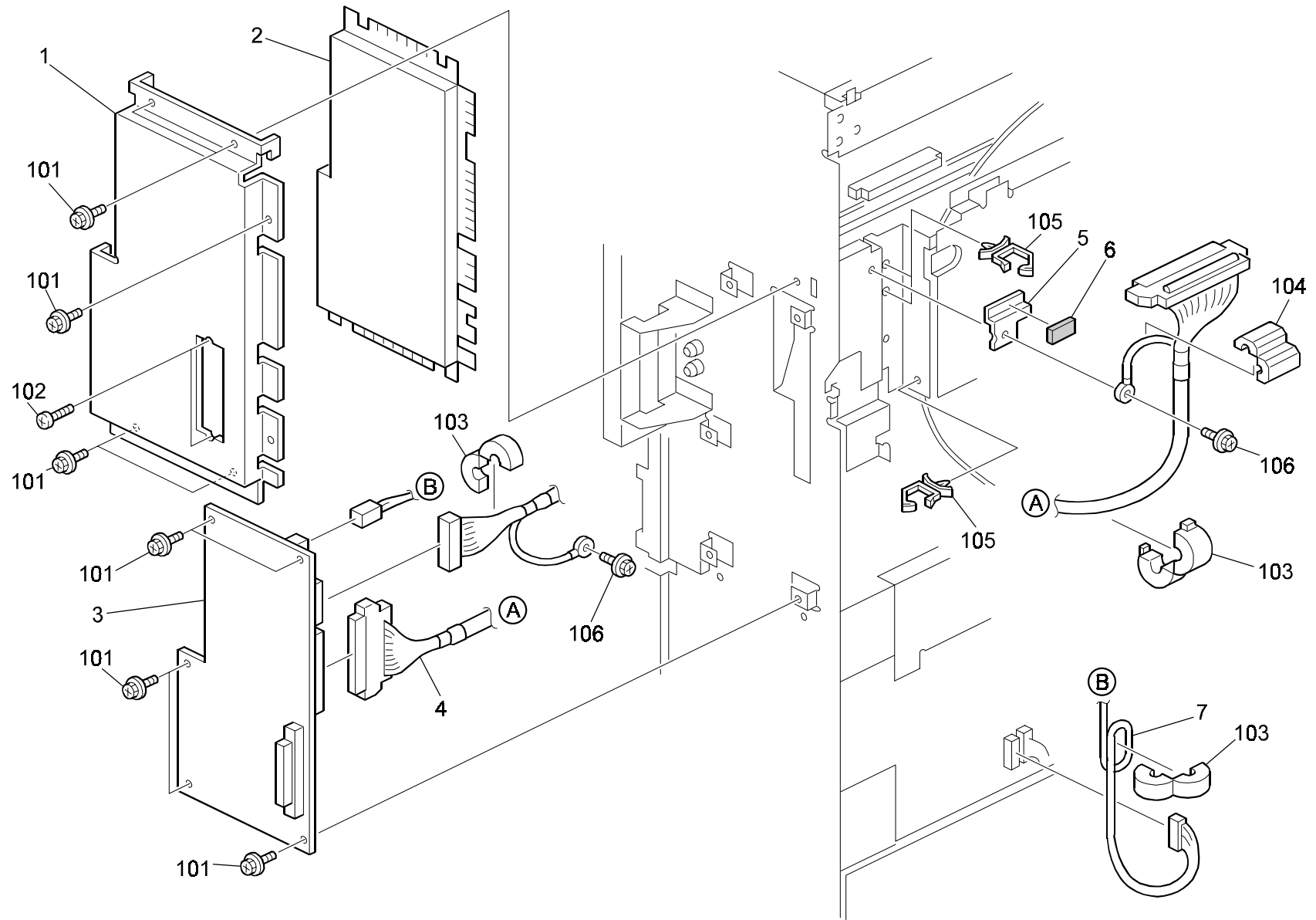
This catalog gives the numbers and names of parts on this machine.

CONTENTS

1.Interface Kit (B372).....	2
Parts Index	5

May ,30 ' 2001

1.Interface Kit (B372)



1.Interface Kit (B372)

Index No.	Part No.	Description	Q'ty Per Assembly
1	B372 5670	Busw Cover	1
2	B372 5672	Ground Shieldplate	1
3	B372 5100	Busw_dif Board Ass'y	1
4	B371 5302	I/F Harness - Video-MB	1
5	B371 5860	Earth Bracket - Rear Upper	1
6	B023 1112	Gasket - 10x10x25	1
7	B372 5301	Harness - Outer I/F	1

Index No.	Part No.	Description	Q'ty Per Assembly
101	0451 4006B	Tapping Screw - 4x6	
102	0800 0072	Philips Pan Head Screw - M2.6x4	
103	1607 0721	Ferrite Core - Tfc-23-11-14	
104	1607 0621	Sleeve Core - SFC-4	
105	1105 0488	Harness Clamp	
106	0451 3006B	Tapping Screw - M3x6	

Parts Index

Parts Index

Part No.	Description	Page and Index No.
B372 5100	Busw_dif Board Ass'y	3- 3
B372 5301	Harness - Outer I/F	3- 7
B372 5670	Busw Cover	3- 1
B372 5672	Ground Shieldplate	3- 2
B023 1112	Gasket - 10x10x25	3- 6
B371 5302	I/F Harness - Video-MB	3- 4
B371 5860	Earth Bracket - Rear Upper	3- 5
0451 3006B	Tapping Screw - M3x6	3-106
0451 4006B	Tapping Screw - 4x6	3-101
0800 0072	Philips Pan Head Screw - M2.6x4	3-102
1105 0488	Harness Clamp	3-105
1607 0621	Sleeve Core - SFC-4	3-104
1607 0721	Ferrite Core - Tfc-23-11-14	3-103

Part No.	Description	Page and Index No.